

NOTES	
N°	Type Comments
1	MAIN TEE <i>PERFIL PRINCIPAL</i>
2	CROSS TEE <i>PERFIL SECUNDARIO</i>
3	HANGER WIRE <i>ALAMBRE DE SUSPENSION</i>
4	ANCHOR BY OTHERS, PER LOCAL CODE <i>ANCLAJE POR OTROS, SEGUN CODIGO LOCAL</i>

STANDARD CODE
CODIGO ESTANDAR



United States Gypsum Company
550 West Adams Street
Chicago, IL 60661 USA

USG DXI GRID DETAILS - SEISMIC C - SECTION AT MAIN TEE

DETALLES DE PERFILERIA USG DXI - SISMICO C - SECCION AL PERFIL PRINCIPAL

DISCLAIMER: THE USG PRODUCT DETAILS CONTAINED HEREIN ARE INTENDED FOR USE AS PRODUCT REFERENCE MATERIAL BY ARCHITECTS, ENGINEERS, OTHER DESIGN PROFESSIONALS, CONTRACTORS, BUILDING CODE OFFICIALS, OR OTHER COMPETENT CONSTRUCTION INDUSTRY TRADE PROFESSIONALS HAVING AN INTEREST IN THE SELECTION, SPECIFICATION AND USE OF PRODUCTS MANUFACTURED BY THE SUBSIDIARIES OF USG CORPORATION. THE DRAWINGS ARE INTENDED SOLELY AS TECHNICAL SUPPORT INCIDENT TO THE SALE AND USE OF USG PRODUCTS AND NOT INTENDED TO BE A SUBSTITUTE FOR THE DESIGN REVIEW AND APPROVAL OF THE LICENSED DESIGN PROFESSIONALS FOR THE PROJECT. THESE MATERIALS MAY BE PRINTED AND/OR TRANSFERRED ELECTRONICALLY SOLELY AS NEEDED BY THE USER, BECAUSE CAD ELECTRONIC FILES AND BIM (BUILDING INFORMATION MODELING) FILES CAN BE MODIFIED BY OTHER PARTIES, WITHOUT NOTICE OR INDICATION OF SUCH MODIFICATIONS. MODIFICATION OF USG PRODUCT CAD AND BIM DRAWINGS IS THE SOLE RESPONSIBILITY OF THE DESIGN PROFESSIONAL. ©2023 USG CORPORATION.

ISSUE RECORD:

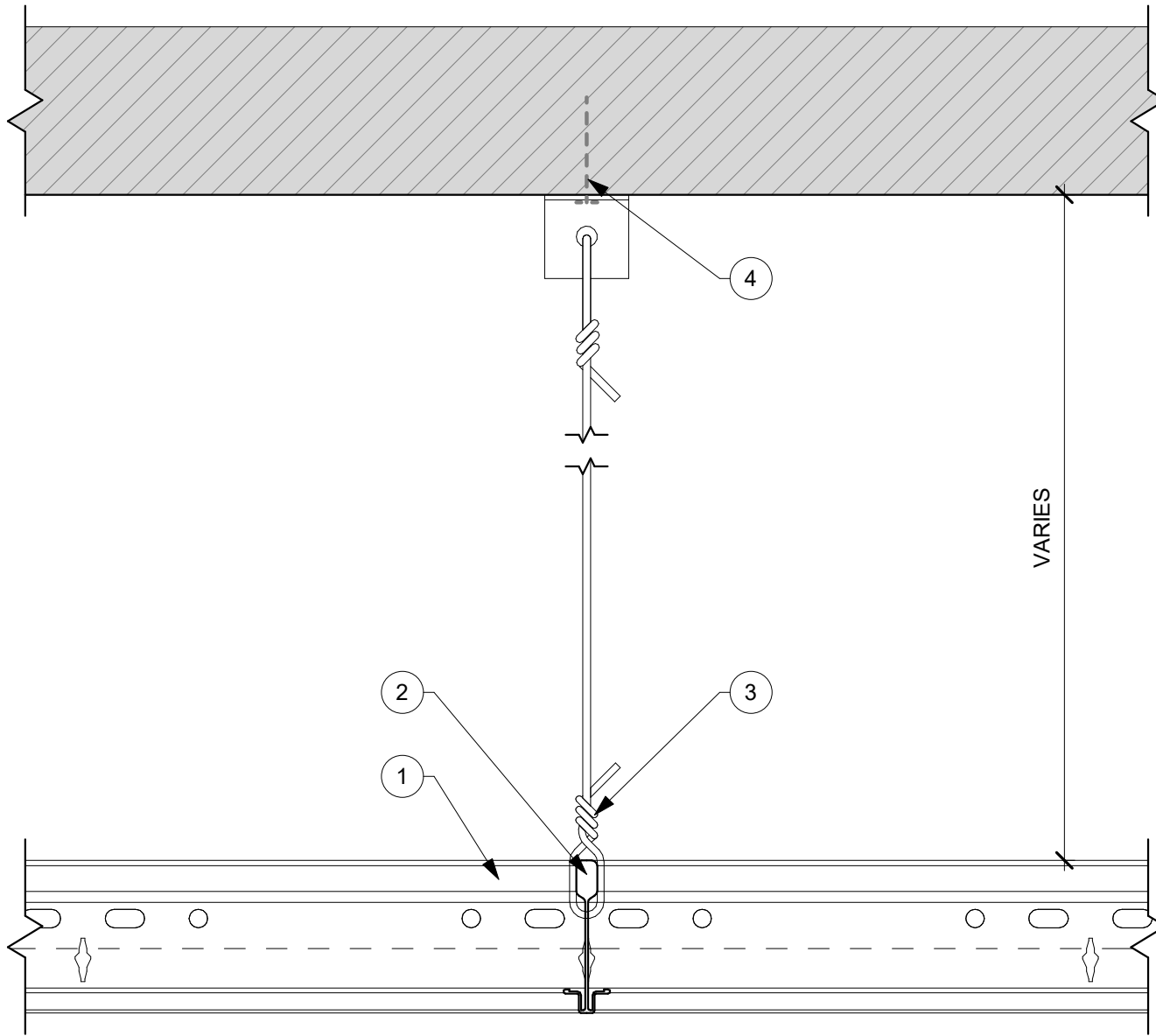
03/17/2026

REV: DATE:

SCALE: 6" = 1'-0"

TILE:

DXI-S-10



NOTES	
N°	Type Comments
1	MAIN TEE <i>PERFIL PRINCIPAL</i>
2	CROSS TEE <i>PERFIL SECUNDARIO</i>
3	HANGER WIRE <i>ALAMBRE DE SUSPENSION</i>
4	ANCHOR BY OTHERS, PER LOCAL CODE <i>ANCLAJE POR OTROS, SEGUN CODIGO LOCAL</i>

STANDARD CODE
CODIGO ESTANDAR



United States Gypsum Company
550 West Adams Street
Chicago, IL 60661 USA

USG DXI GRID DETAILS - SEISMIC C - SECTION AT CROSS TEE

DETALLES DE PERFILERIA USG DXI - SISMICO C - SECCION AL PERFIL SECUNDARIO

DISCLAIMER: THE USG PRODUCT DETAILS CONTAINED HEREIN ARE INTENDED FOR USE AS PRODUCT REFERENCE MATERIAL BY ARCHITECTS, ENGINEERS, OTHER DESIGN PROFESSIONALS, CONTRACTORS, BUILDING CODE OFFICIALS, OR OTHER COMPETENT CONSTRUCTION INDUSTRY TRADE PROFESSIONALS HAVING AN INTEREST IN THE SELECTION, SPECIFICATION AND USE OF PRODUCTS MANUFACTURED BY THE SUBSIDIARIES OF USG CORPORATION. THE DRAWINGS ARE INTENDED SOLELY AS TECHNICAL SUPPORT INCIDENT TO THE SALE AND USE OF USG PRODUCTS AND NOT INTENDED TO BE A SUBSTITUTE FOR THE DESIGN REVIEW AND APPROVAL OF THE LICENSED DESIGN PROFESSIONALS FOR THE PROJECT. THESE MATERIALS MAY BE PRINTED AND/OR TRANSFERRED ELECTRONICALLY SOLELY AS NEEDED BY THE USER, BECAUSE CAD ELECTRONIC FILES AND BIM (BUILDING INFORMATION MODELING) FILES CAN BE MODIFIED BY OTHER PARTIES, WITHOUT NOTICE OR INDICATION OF SUCH MODIFICATIONS. MODIFICATION OF USG PRODUCT CAD AND BIM DRAWINGS IS THE SOLE RESPONSIBILITY OF THE DESIGN PROFESSIONAL. ©2023 USG CORPORATION.

ISSUE RECORD:

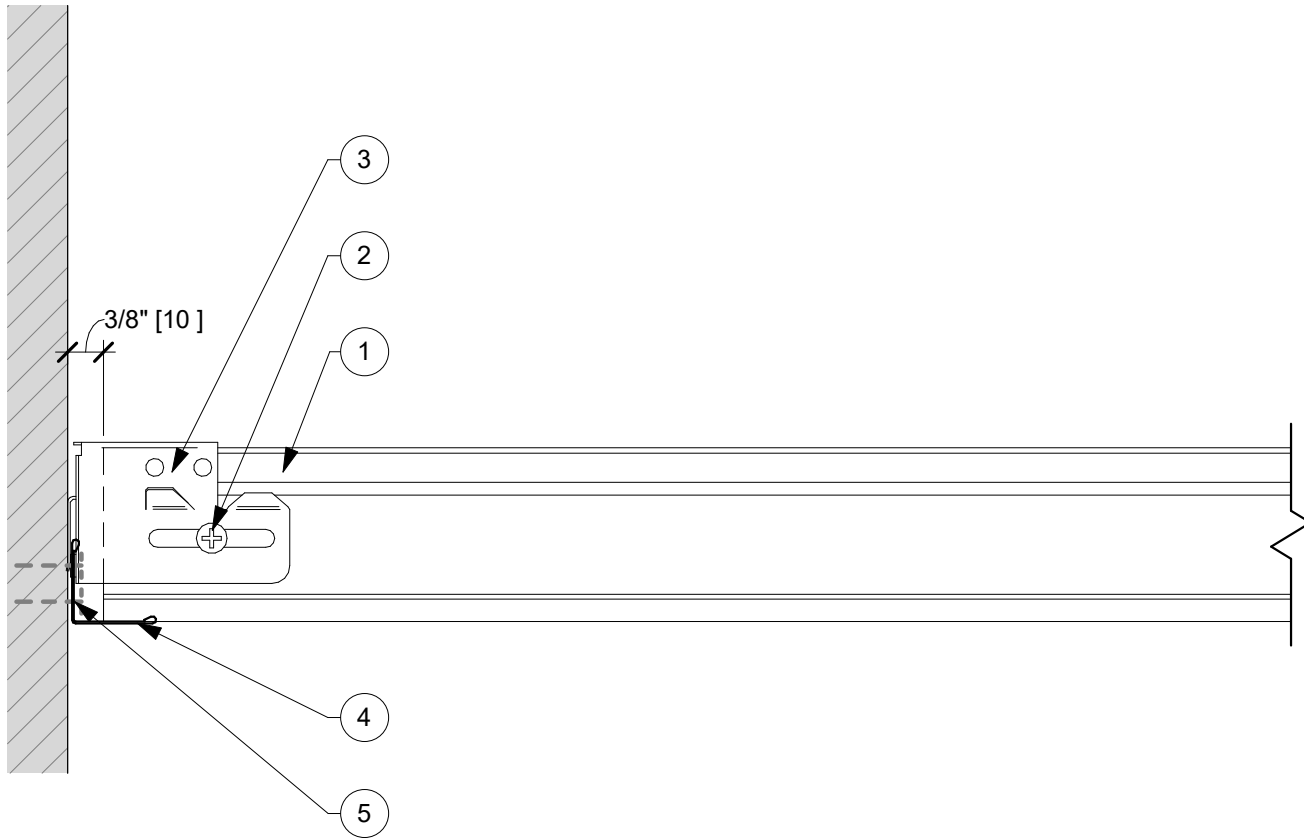
03/17/2026

REV: DATE:

SCALE: 6" = 1'-0"

TILE:

DXI-S-11



NOTES	
N°	Type Comments
1	CROSS TEE <i>PERFIL SECUNDARIO</i>
2	ONE FASTENER ATTACHMENT TO TEE THROUGH SLOT <i>UN ELEMENTO DE FIJACION ANCLADO AL PERFIL MEDIANTE LA RANURA</i>
3	ACM7 CLIP ATTACHED TO WALL MOLDING WITH TWO FASTENERS <i>CLIP ACM7 ANCLADO A LA MOLDURA DEL MURO CON DOS FIJADORES</i>
4	M7 7/8" WALL MOLDING <i>MOLDURA DE MURO M7 7/8"</i>
5	WALL MOLDING ATTACHED TO PARTITION FRAMING WITH ONE FASTENER <i>MOLDURA DE MURO FIJADA A LA ESTRUCTURA DE LA PARTICION CON UN FIJADOR</i>

ALTERNATE TO CODE WITH ESR-1222
ALTERNATIVA AL CODIGO CON ESR-1222



United States Gypsum Company
 550 West Adams Street
 Chicago, IL 60661 USA

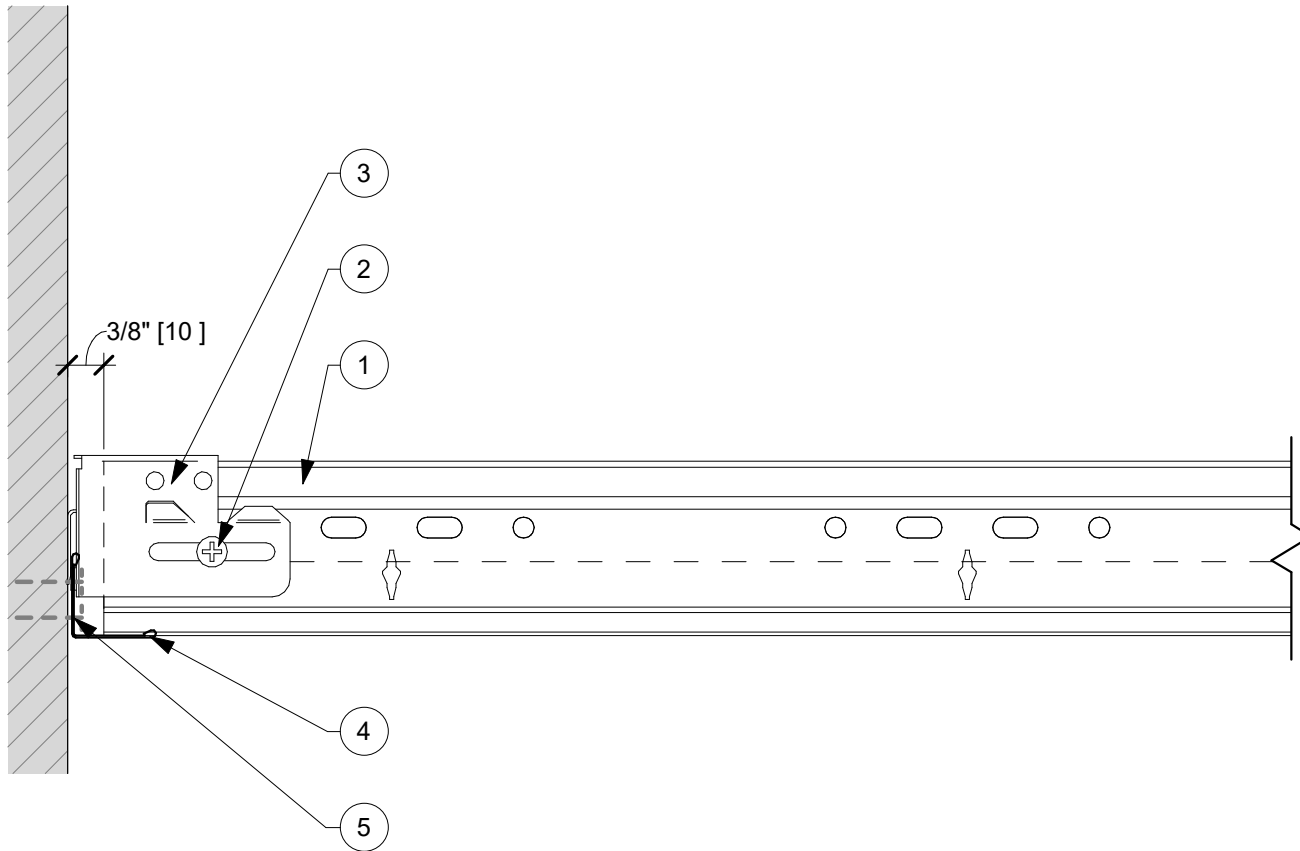
USG DXI GRID DETAILS - SEISMIC C - FREE END - CROSS TEE AT M7 7/8" WALL ANGLE WITH ACM-7
DETALLES DE PERFILERIA USG DXI - SISMICO C - EXTREMO LIBRE - PERFIL SECUNDARIO AL ANGULO PERIMETRAL M7 7/8" CON ACM-7

DISCLAIMER: THE USG PRODUCT DETAILS CONTAINED HEREIN ARE INTENDED FOR USE AS PRODUCT REFERENCE MATERIAL BY ARCHITECTS, ENGINEERS, OTHER DESIGN PROFESSIONALS, CONTRACTORS, BUILDING CODE OFFICIALS, OR OTHER COMPETENT CONSTRUCTION INDUSTRY TRADE PROFESSIONALS HAVING AN INTEREST IN THE SELECTION, SPECIFICATION AND USE OF PRODUCTS MANUFACTURED BY THE SUBSIDIARIES OF USG CORPORATION. THE DRAWINGS ARE INTENDED SOLELY AS TECHNICAL SUPPORT INCIDENT TO THE SALE AND USE OF USG PRODUCTS AND NOT INTENDED TO BE A SUBSTITUTE FOR THE DESIGN REVIEW AND APPROVAL OF THE LICENSED DESIGN PROFESSIONALS FOR THE PROJECT. THESE MATERIALS MAY BE PRINTED AND/OR TRANSFERRED ELECTRONICALLY SOLELY AS NEEDED BY THE USER, BECAUSE CAD ELECTRONIC FILES AND BIM (BUILDING INFORMATION MODELING) FILES CAN BE MODIFIED BY OTHER PARTIES, WITHOUT NOTICE OR INDICATION OF SUCH MODIFICATIONS. MODIFICATION OF USG PRODUCT CAD AND BIM DRAWINGS IS THE SOLE RESPONSIBILITY OF THE DESIGN PROFESSIONAL. ©2023 USG CORPORATION.

ISSUE RECORD:
 03/17/2026
REV: DATE:

SCALE: 6" = 1'-0"

TITLE:
DXI-S-20



NOTES	
Nº	Type Comments
1	MAIN TEE <i>PERFIL PRINCIPAL</i>
2	ONE FASTENER ATTACHMENT TO TEE THROUGH SLOT <i>UN ELEMENTO DE FIJACION ANCLADO AL PERFIL MEDIANTE LA RANURA</i>
3	ACM7 CLIP ATTACHED TO WALL MOLDING WITH TWO FASTENERS <i>CLIP ACM7 ANCLADO A LA MOLDURA DEL MURO CON DOS FIJADORES</i>
4	M7 7/8" WALL MOLDING <i>MOLDURA DE MURO M7 7/8"</i>
5	WALL MOLDING ATTACHED TO PARTITION FRAMING WITH ONE FASTENER <i>MOLDURA DE MURO FIJADA A LA ESTRUCTURA DE LA PARTICION CON UN FIJADOR</i>

ALTERNATE TO CODE WITH ESR-1222
ALTERNATIVA AL CODIGO CON ESR-1222



United States Gypsum Company
550 West Adams Street
Chicago, IL 60661 USA

USG DXI GRID DETAILS - SEISMIC C - FREE END - MAIN TEE AT M7 7/8" WALL ANGLE WITH ACM-7
DETALLES DE PERFLERIA USG DXI - SISMICO C - EXTREMO LIBRE - PERFIL PRINCIPAL AL ANGULO PERIMETRAL M7 7/8" CON ACM-7

DISCLAIMER: THE USG PRODUCT DETAILS CONTAINED HEREIN ARE INTENDED FOR USE AS PRODUCT REFERENCE MATERIAL BY ARCHITECTS, ENGINEERS, OTHER DESIGN PROFESSIONALS, CONTRACTORS, BUILDING CODE OFFICIALS, OR OTHER COMPETENT CONSTRUCTION INDUSTRY TRADE PROFESSIONALS HAVING AN INTEREST IN THE SELECTION, SPECIFICATION AND USE OF PRODUCTS MANUFACTURED BY THE SUBSIDIARIES OF USG CORPORATION. THE DRAWINGS ARE INTENDED SOLELY AS TECHNICAL SUPPORT INCIDENT TO THE SALE AND USE OF USG PRODUCTS AND NOT INTENDED TO BE A SUBSTITUTE FOR THE DESIGN REVIEW AND APPROVAL OF THE LICENSED DESIGN PROFESSIONALS FOR THE PROJECT. THESE MATERIALS MAY BE PRINTED AND/OR TRANSFERRED ELECTRONICALLY SOLELY AS NEEDED BY THE USER, BECAUSE CAD ELECTRONIC FILES AND BIM (BUILDING INFORMATION MODELING) FILES CAN BE MODIFIED BY OTHER PARTIES, WITHOUT NOTICE OR INDICATION OF SUCH MODIFICATIONS. MODIFICATION OF USG PRODUCT CAD AND BIM DRAWINGS IS THE SOLE RESPONSIBILITY OF THE DESIGN PROFESSIONAL. ©2023 USG CORPORATION.

ISSUE RECORD:

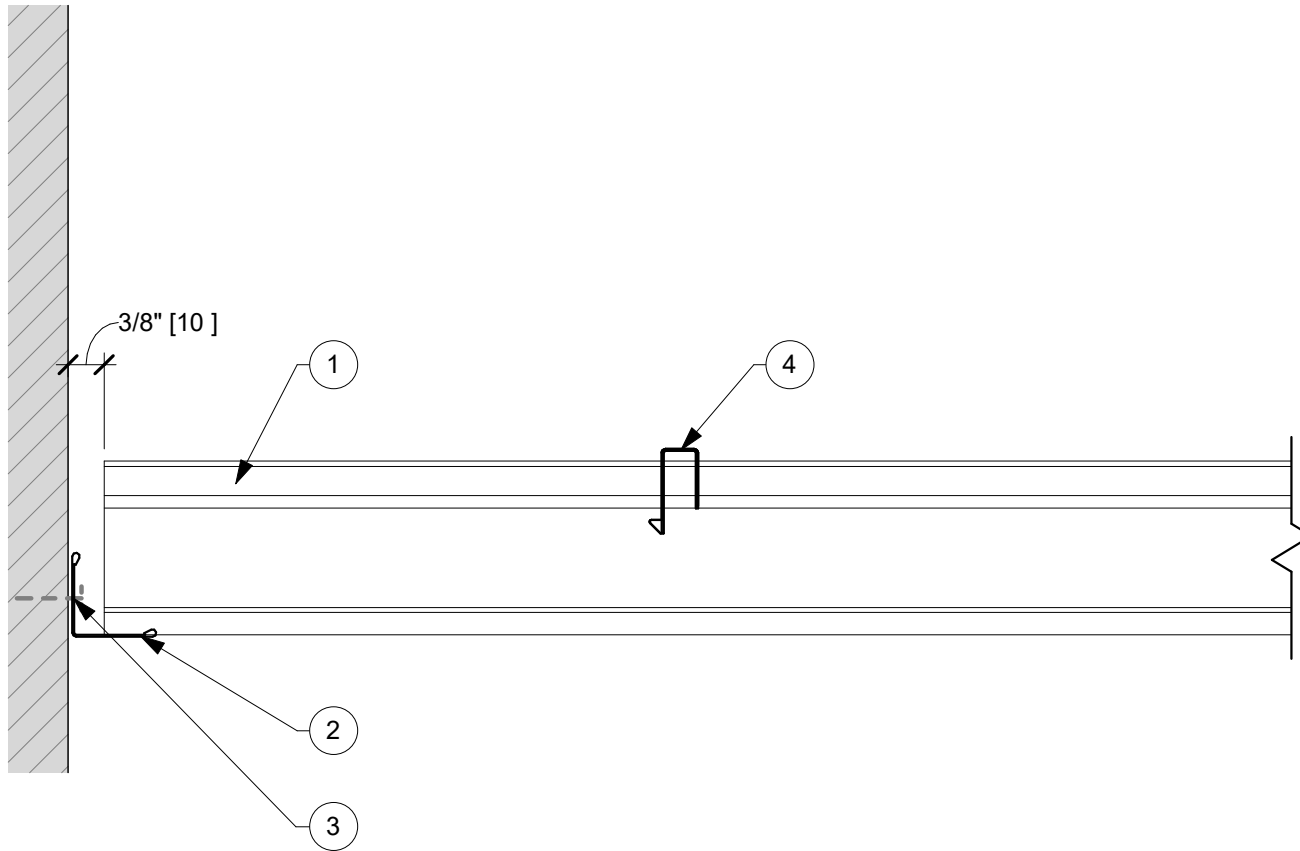
03/17/2026

REV: DATE:

SCALE: 6" = 1'-0"

TILE:

DXI-S-21



STANDARD CODE
CODIGO ESTANDAR

NOTES	
N°	Type Comments
1	MAIN/CROSS TEE <i>PERFIL PRINCIPAL/SECUNDARIO</i>
2	M7 7/8" WALL MOLDING <i>MOLDURA DE MURO M7 7/8"</i>
3	WALL MOLDING ATTACHED TO PARTITION FRAMING WITH ONE FASTENER <i>MOLDURA DE MURO FIJADA A LA ESTRUCTURA DE LA PARTICION CON UN FIJADOR</i>
4	STABILIZER BAR WITHIN 8" OF PERIMETER MOLDING <i>BARRA ESTABILIZADORA UBICADA A NO MAS DE 8" DE LA MOLDURA PERIMETRAL.</i>

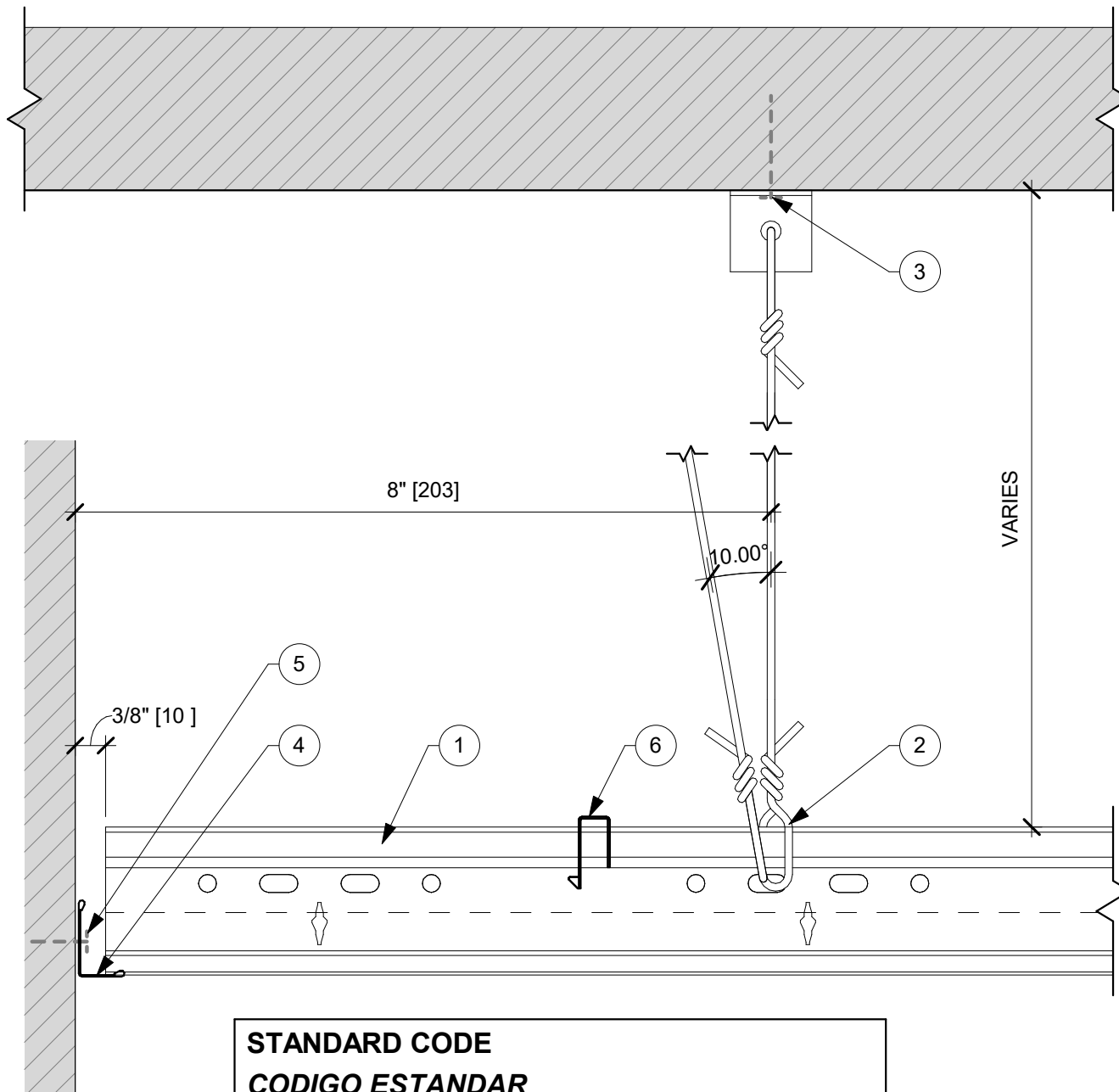


United States Gypsum Company
550 West Adams Street
Chicago, IL 60661 USA

USG DXI GRID DETAILS - SEISMIC C - FREE END - SECTION AT MAIN/CROSS TEE
DETALLES DE PERFILERIA USG DXI - SISMICO C - EXTREMO LIBRE - SECCION AL PERFIL PRINCIPAL/SECUNDARIO

DISCLAIMER: THE USG PRODUCT DETAILS CONTAINED HEREIN ARE INTENDED FOR USE AS PRODUCT REFERENCE MATERIAL BY ARCHITECTS, ENGINEERS, OTHER DESIGN PROFESSIONALS, CONTRACTORS, BUILDING CODE OFFICIALS, OR OTHER COMPETENT CONSTRUCTION INDUSTRY TRADE PROFESSIONALS HAVING AN INTEREST IN THE SELECTION, SPECIFICATION AND USE OF PRODUCTS MANUFACTURED BY THE SUBSIDIARIES OF USG CORPORATION. THE DRAWINGS ARE INTENDED SOLELY AS TECHNICAL SUPPORT INCIDENT TO THE SALE AND USE OF USG PRODUCTS AND NOT INTENDED TO BE A SUBSTITUTE FOR THE DESIGN REVIEW AND APPROVAL OF THE LICENSED DESIGN PROFESSIONALS FOR THE PROJECT. THESE MATERIALS MAY BE PRINTED AND/OR TRANSFERRED ELECTRONICALLY SOLELY AS NEEDED BY THE USER, BECAUSE CAD ELECTRONIC FILES AND BIM (BUILDING INFORMATION MODELING) FILES CAN BE MODIFIED BY OTHER PARTIES, WITHOUT NOTICE OR INDICATION OF SUCH MODIFICATIONS. MODIFICATION OF USG PRODUCT CAD AND BIM DRAWINGS IS THE SOLE RESPONSIBILITY OF THE DESIGN PROFESSIONAL. ©2023 USG CORPORATION.

ISSUE RECORD:	TILE:
03/17/2026	DXI-S-22
REV: DATE:	
SCALE: 6" = 1'-0"	



STANDARD CODE
CODIGO ESTANDAR

NOTES	
N°	Type Comments
1	MAIN/CROSS TEE <i>PERFIL PRINCIPAL/SECUNDARIO</i>
2	HANGER WIRE WITHIN 8" OF WALL <i>ALAMBRE DE SUSPENSION UBICADO A NO MAS DE 8" DEL MURO</i>
3	ANCHOR BY OTHERS, PER LOCAL CODE <i>ANCLAJE POR OTROS, SEGUN CODIGO LOCAL</i>
4	M9 9/16" WALL MOLDING <i>MOLDURA DE MURO M9 9/16"</i>
5	WALL MOLDING ATTACHED TO PARTITION FRAMING WITH ONE FASTENER <i>MOLDURA DE MURO FIJADA A LA ESTRUCTURA DE LA PARTICION CON UN FIJADOR</i>
6	STABILIZER BAR WITHIN 8" OF PERIMETER MOLDING <i>BARRA ESTABILIZADORA UBICADA A NO MAS DE 8" DE LA MOLDURA PERIMETRAL</i>



United States Gypsum Company
550 West Adams Street
Chicago, IL 60661 USA

USG DXI GRID DETAILS - SEISMIC C - FREE END - SECTION AT MAIN/CROSS TEE

DETALLES DE PERFILERIA USG DXI - SISMICO C - EXTREMO LIBRE - SECCION AL PERFIL PRINCIPAL/SECUNDARIO

DISCLAIMER: THE USG PRODUCT DETAILS CONTAINED HEREIN ARE INTENDED FOR USE AS PRODUCT REFERENCE MATERIAL BY ARCHITECTS, ENGINEERS, OTHER DESIGN PROFESSIONALS, CONTRACTORS, BUILDING CODE OFFICIALS, OR OTHER COMPETENT CONSTRUCTION INDUSTRY TRADE PROFESSIONALS HAVING AN INTEREST IN THE SELECTION, SPECIFICATION AND USE OF PRODUCTS MANUFACTURED BY THE SUBSIDIARIES OF USG CORPORATION. THE DRAWINGS ARE INTENDED SOLELY AS TECHNICAL SUPPORT INCIDENT TO THE SALE AND USE OF USG PRODUCTS AND NOT INTENDED TO BE A SUBSTITUTE FOR THE DESIGN REVIEW AND APPROVAL OF THE LICENSED DESIGN PROFESSIONALS FOR THE PROJECT. THESE MATERIALS MAY BE PRINTED AND/OR TRANSFERRED ELECTRONICALLY SOLELY AS NEEDED BY THE USER, BECAUSE CAD ELECTRONIC FILES AND BIM (BUILDING INFORMATION MODELING) FILES CAN BE MODIFIED BY OTHER PARTIES, WITHOUT NOTICE OR INDICATION OF SUCH MODIFICATIONS. MODIFICATION OF USG PRODUCT CAD AND BIM DRAWINGS IS THE SOLE RESPONSIBILITY OF THE DESIGN PROFESSIONAL. ©2023 USG CORPORATION.

ISSUE RECORD:

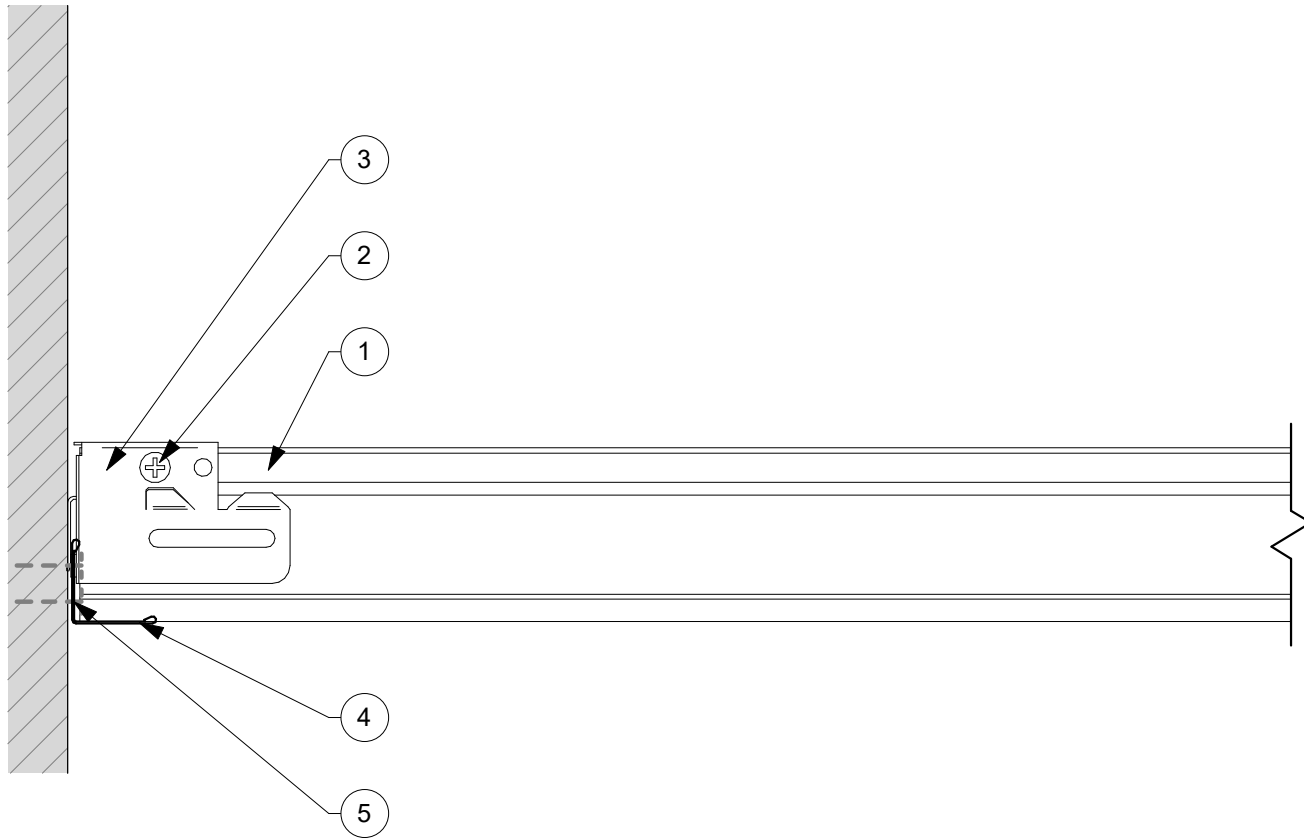
03/17/2026

REV: DATE:

SCALE: 6" = 1'-0"

TILE:

DXI-S-23



NOTES	
N°	Type Comments
1	CROSS TEE <i>PERFIL SECUNDARIO</i>
2	ONE FASTENER ATTACHMENT TO TEE THROUGH FIXED HOLE <i>UN ELEMENTO DE FIJACION ANCLADO AL PERFIL MEDIANTE ORIFICIO FIJO</i>
3	ACM7 CLIP ATTACHED TO WALL MOLDING WITH TWO FASTENERS <i>CLIP ACM7 ANCLADO A LA MOLDURA DEL MURO CON DOS FIJADORES</i>
4	M7 7/8" WALL MOLDING <i>MOLDURA DE MURO M7 7/8"</i>
5	WALL MOLDING ATTACHED TO PARTITION FRAMING WITH ONE FASTENER <i>MOLDURA DE MURO FIJADA A LA ESTRUCTURA DE LA PARTICION CON UN FIJADOR</i>

ALTERNATE TO CODE WITH ESR-1222
ALTERNATIVA AL CODIGO CON ESR-1222



United States Gypsum Company
 550 West Adams Street
 Chicago, IL 60661 USA

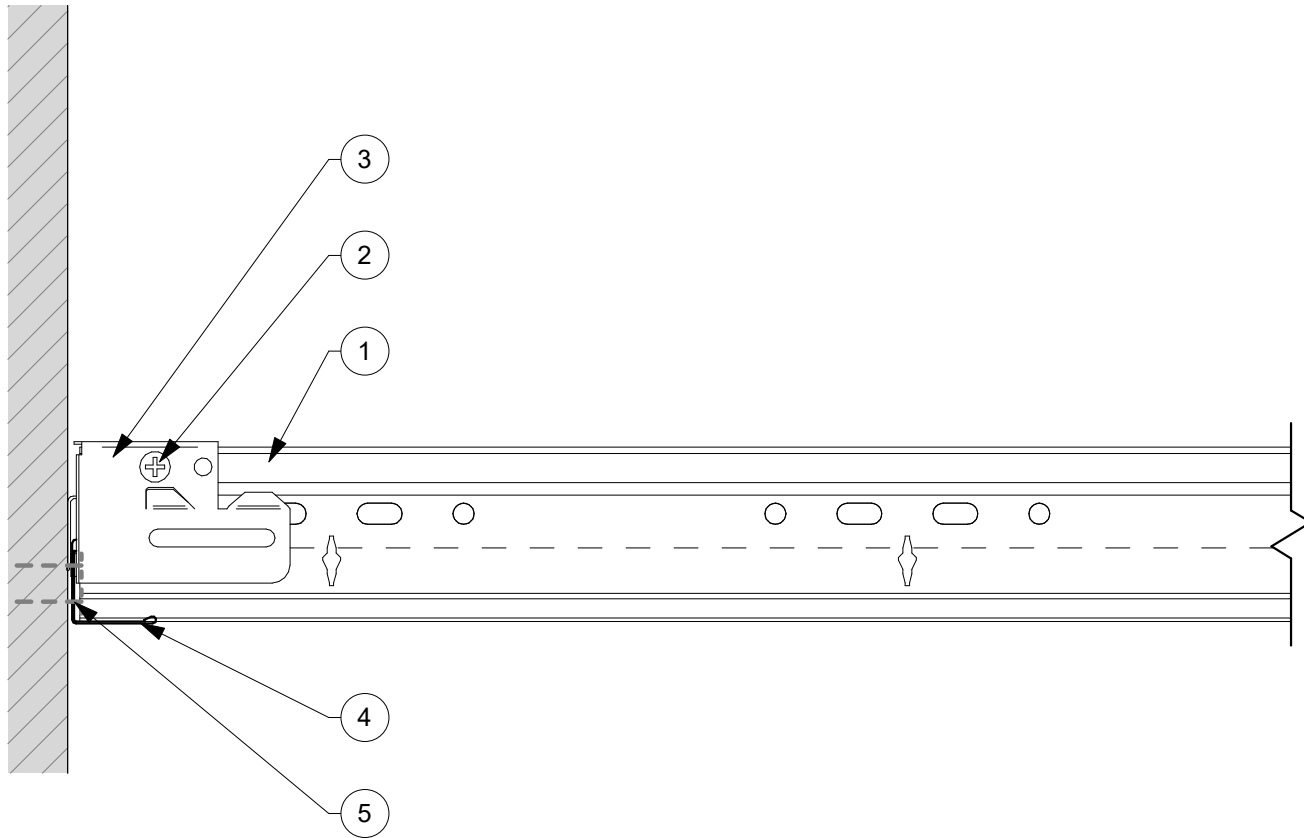
USG DXI GRID DETAILS - SEISMIC C - FIXED END - CROSS TEE AT M7 7/8" WALL ANGLE WITH ACM-7
 DETALLES DE PERFLERIA USG DXI - SISMICO C - EXTREMO FIJO - PERFIL SECUNDARIO AL ANGULO PERIMETRAL M7 7/8" CON ACM-7

DISCLAIMER: THE USG PRODUCT DETAILS CONTAINED HEREIN ARE INTENDED FOR USE AS PRODUCT REFERENCE MATERIAL BY ARCHITECTS, ENGINEERS, OTHER DESIGN PROFESSIONALS, CONTRACTORS, BUILDING CODE OFFICIALS, OR OTHER COMPETENT CONSTRUCTION INDUSTRY TRADE PROFESSIONALS HAVING AN INTEREST IN THE SELECTION, SPECIFICATION AND USE OF PRODUCTS MANUFACTURED BY THE SUBSIDIARIES OF USG CORPORATION. THE DRAWINGS ARE INTENDED SOLELY AS TECHNICAL SUPPORT INCIDENT TO THE SALE AND USE OF USG PRODUCTS AND NOT INTENDED TO BE A SUBSTITUTE FOR THE DESIGN REVIEW AND APPROVAL OF THE LICENSED DESIGN PROFESSIONALS FOR THE PROJECT. THESE MATERIALS MAY BE PRINTED AND/OR TRANSFERRED ELECTRONICALLY SOLELY AS NEEDED BY THE USER, BECAUSE CAD (ELECTRONIC FILES AND BIM (BUILDING INFORMATION MODELING)) FILES CAN BE MODIFIED BY OTHER PARTIES, WITHOUT NOTICE OR INDICATION OF SUCH MODIFICATIONS. MODIFICATION OF USG PRODUCT CAD AND BIM DRAWINGS IS THE SOLE RESPONSIBILITY OF THE DESIGN PROFESSIONAL. ©2023 USG CORPORATION.

ISSUE RECORD:
 03/17/2026
 REV: DATE:

 SCALE: 6" = 1'-0"

TILE:
DXI-S-30



NOTES	
N°	Type Comments
1	MAIN TEE <i>PERFIL PRINCIPAL</i>
2	ONE FASTENER ATTACHMENT TO TEE THROUGH FIXED HOLE <i>UN ELEMENTO DE FIJACION ANCLADO AL PERFIL MEDIANTE ORIFICIO FIJO</i>
3	ACM7 CLIP ATTACHED TO WALL MOLDING WITH TWO FASTENERS <i>CLIP ACM7 ANCLADO A LA MOLDURA DEL MURO CON DOS FIJADORES</i>
4	M7 7/8" WALL MOLDING <i>MOLDURA DE MURO M7 7/8"</i>
5	WALL MOLDING ATTACHED TO PARTITION FRAMING WITH ONE FASTENER <i>MOLDURA DE MURO FIJADA A LA ESTRUCTURA DE LA PARTICION CON UN FIJADOR</i>

ALTERNATE TO CODE WITH ESR-1222
ALTERNATIVA AL CODIGO CON ESR-1222



United States Gypsum Company
 550 West Adams Street
 Chicago, IL 60661 USA

USG DXI GRID DETAILS - SEISMIC C - FIXED END - MAIN TEE AT M7 7/8" WALL ANGLE WITH ACM-7
DETALLES DE PERFILERIA USG DXI - SISMICO C - EXTREMO FIJO - PERFIL PRINCIPAL AL ANGULO PERIMETRAL M7 7/8" CON ACM-7

DISCLAIMER: THE USG PRODUCT DETAILS CONTAINED HEREIN ARE INTENDED FOR USE AS PRODUCT REFERENCE MATERIAL BY ARCHITECTS, ENGINEERS, OTHER DESIGN PROFESSIONALS, CONTRACTORS, BUILDING CODE OFFICIALS, OR OTHER COMPETENT CONSTRUCTION INDUSTRY TRADE PROFESSIONALS HAVING AN INTEREST IN THE SELECTION, SPECIFICATION AND USE OF PRODUCTS MANUFACTURED BY THE SUBSIDIARIES OF USG CORPORATION. THE DRAWINGS ARE INTENDED SOLELY AS TECHNICAL SUPPORT INCIDENT TO THE SALE AND USE OF USG PRODUCTS AND NOT INTENDED TO BE A SUBSTITUTE FOR THE DESIGN REVIEW AND APPROVAL OF THE LICENSED DESIGN PROFESSIONALS FOR THE PROJECT. THESE MATERIALS MAY BE PRINTED AND/OR TRANSFERRED ELECTRONICALLY SOLELY AS NEEDED BY THE USER, BECAUSE CAD ELECTRONIC FILES AND BIM (BUILDING INFORMATION MODELING) FILES CAN BE MODIFIED BY OTHER PARTIES, WITHOUT NOTICE OR INDICATION OF SUCH MODIFICATIONS. MODIFICATION OF USG PRODUCT CAD AND BIM DRAWINGS IS THE SOLE RESPONSIBILITY OF THE DESIGN PROFESSIONAL. ©2023 USG CORPORATION.

ISSUE RECORD:
 03/17/2026
 REV: DATE:

 SCALE: 6" = 1'-0"

TILE:
DXI-S-31